



Hot Melt Adhesive

Typical Physical Properties

- ▶ Typical Application Temperature Range: 340°F – 385°F
- ▶ Viscosity: 8000 – 11000 cps @ 350°F
- ▶ Softening Point: Approx. 318°F
- ▶ Color: Yellow to Amber Solid

General Uses and Product Characteristics

HMT-4188 is a high viscosity, high strength, flexible adhesive for high performance product assembly. It is designed for bonding of a variety of substrates including polypropylene, ABS, woods, foams, carpets, fiberglass, as well as sound and impact deadening materials.

Storage and Handling Suggestions

Store in cool, dry place in the original shipping container only. Keep container closed and tightly sealed when not in use to avoid contamination.

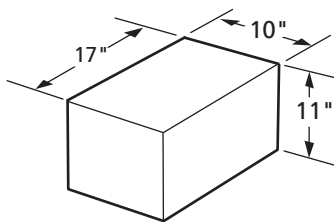
Clean-up and Safety Information

To minimize the risk of burns, we recommend the use of eye protection and protective clothing when working near the hot melt applicator.

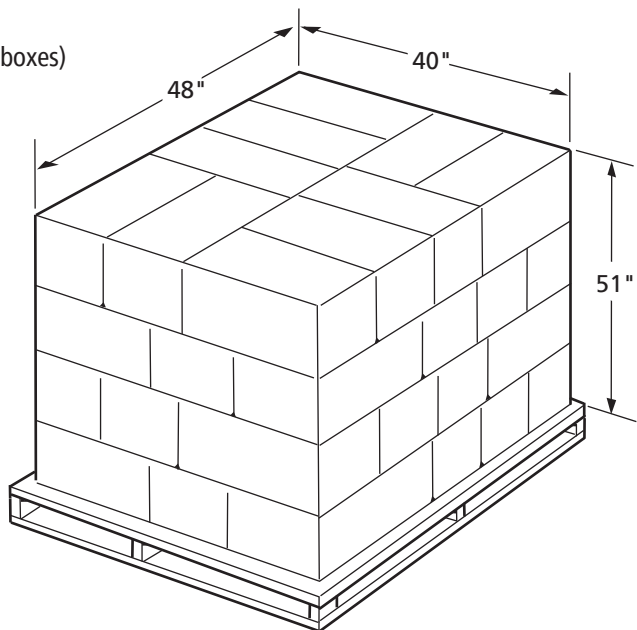
Packaging Information

Package changes can occur without notice.

- Approx. Pallet Dimensions: L=48", W=40", H=51"
- Full Pallet Weight: 1200 lb Net (40 boxes)
- Rows per Full Pallet: 4
- Weight per Row: 300 lb Net (10 boxes)



- Container Type: Box
- Container Dimensions: L=17", W=10", H=11"
- Container Weight: 30 lb Net



4188-P

Chemistry

Synthetic Resin

Form

Pillows

Shelf Life

One year from the date of shipment.

Standard Disclaimer

The data presented is based on tests standard to the adhesive industry. Because we have no control over the application process or the substrates used by the customer, HMT can not certify the performance of the assembly the adhesive is used on. HMT will assume no responsibility for results obtained or for incidental or consequential damages arising from the use of this adhesive.



Hot Melt Technologies, Inc.
No One Puts It Together Like HMT[®]

1723 W Hamlin Road, Rochester Hills, MI 48309 (248) 853-2011 www.hotmelt-tech.com