



Hot Melt Adhesive

Typical Physical Properties

- ▶ Typical Application Temperature Range: 350°F – 400°F
- ▶ Viscosity: 1700 – 2300 cps @ 350°F
- ▶ Softening Point: Approx. 305°F
- ▶ Color: Yellow to Amber Solid

General Uses and Product Characteristics

HMT-4332 is designed to have medium open time and excellent resistance to heat. Bonds well to a variety of substrates including polypropylene, ABS, wood fiber, carpet, metal and foam. Sprayable.

Storage and Handling Suggestions

Store in cool, dry place in the original shipping container only. Keep container closed and tightly sealed when not in use to avoid contamination.

Clean-up and Safety Information

For purging, use HMT’s 1200-HMP purge compound. To minimize the risk of burns, we recommend the use of eye protection and protective clothing when working near the hot melt applicator.

Packaging Information

Package changes can occur without notice.

4332

Chemistry

Synthetic Resin

Form

Pillows

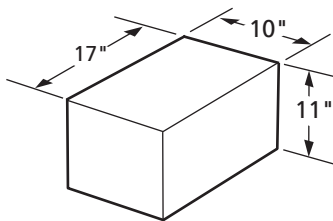
Shelf Life

One year from the date of shipment.

Standard Disclaimer

The data presented is based on tests standard to the adhesive industry. Because we have no control over the application process or the substrates used by the customer, HMT can not certify the performance of the assembly the adhesive is used on. HMT will assume no responsibility for results obtained or for incidental or consequential damages arising from the use of this adhesive.

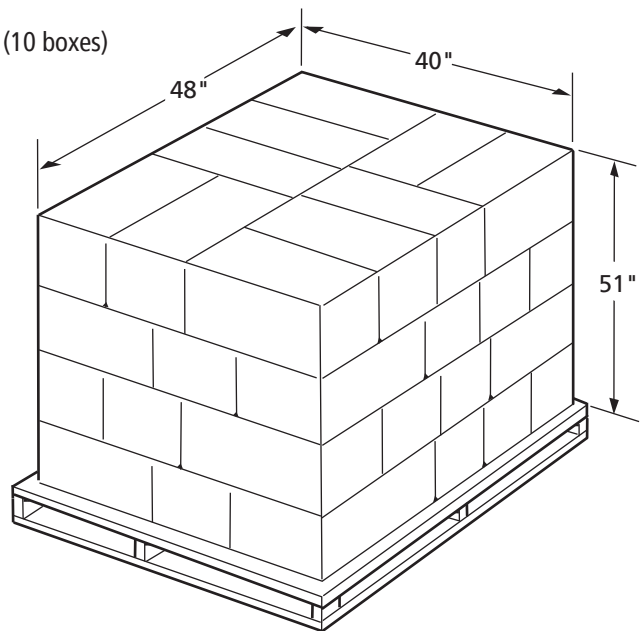
Approx. Pallet Dimensions: L=48", W=40", H=51"
 Full Pallet Weight: 1200 lb Net (40 boxes)
 Rows per Full Pallet: 4
 Weight per Row: 300 lb Net (10 boxes)



Container Type: Box

Container Dimensions: L=17", W=10", H=11"

Container Weight: 30 lb Net



Hot Melt Technologies, Inc.
 No One Puts It Together Like HMT[®]

1723 W Hamlin Road, Rochester Hills, MI 48309 (248) 853-2011 www.hotmelt-tech.com

06/01/2020